

Clearing a check valve just got easier!

Clear the stringy materials and other obstructions from a wafer check valve in 15 minutes or less with the new **RAPIDJACK™** by Smith & Loveless.



RapidJack™

Smith & Loveless has revolutionized wafer check valve maintenance with the new **RAPIDJACK™**. Clearing wafer check valves of stringy materials and obstructions will now take 15 minutes or less with the new **RAPIDJACK™**.

Today's consumer products promote flushing more and more things down the toilet...this is causing clogs. And Operators know that unblocking a valve can be quite a messy, labor-intensive process.

The **RAPIDJACK™** solves most of these issues, allowing you to get back to pumping faster, with a simple three-step process.... remove, clean and reinstall. This is possible thanks to the improved design that maintains the smaller

lay length of a wafer check valve while keeping the valve body in the piping during maintenance, like larger full body check valves.

Designed for quick removal, just 4 bolts allow the clapper system to be removed while the RapidJack™ valve body remains in the piping. Simply remove the obstruction, reinsert the **RAPIDJACK™** clapper system and the four bolts and go!

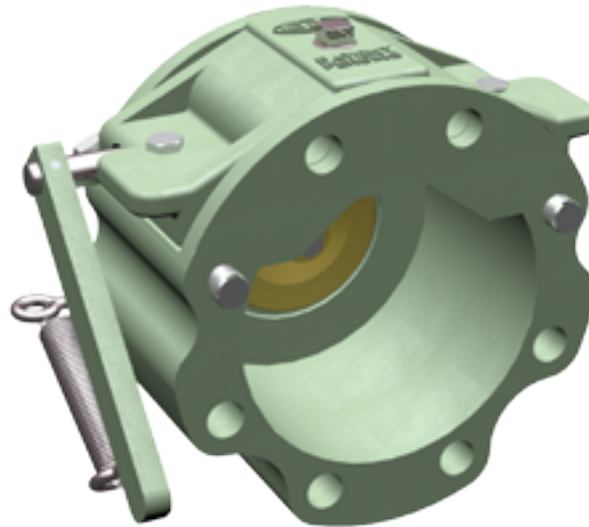
Smith & Loveless has done what no other company has been able to engineer- the revolutionary new **RAPIDJACK™** wafer check valve.

4 RAPIDJACK™ Options

Smith & Loveless has developed four options for end users to select from to add the new **RAPIDJACK™** so that everyone has the opportunity to upgrade.

Option 1: Part

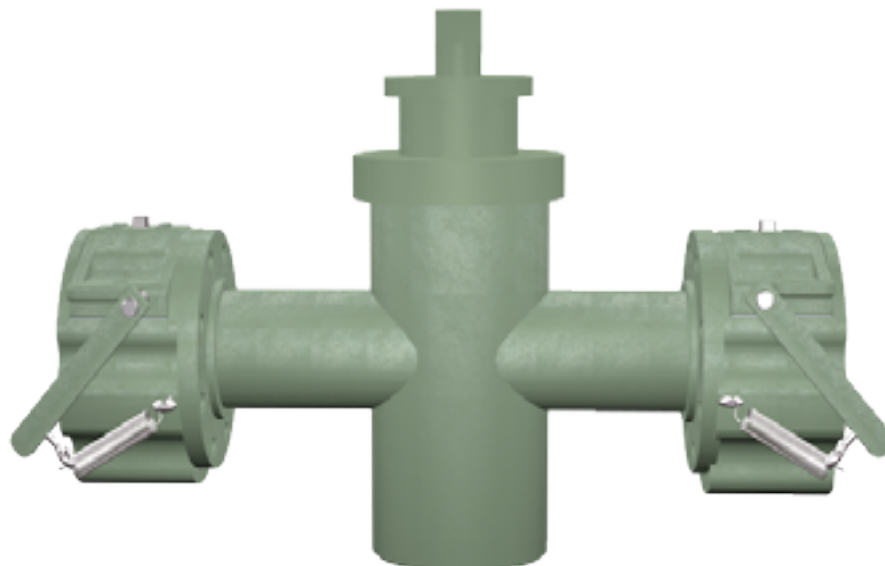
The **RAPIDJACK™** can be purchased as a standalone part that inserts into new piping layouts or can replace valves measuring 5" (127 mm) lay length.



Must have space for
a 5" (127 mm) lay length.

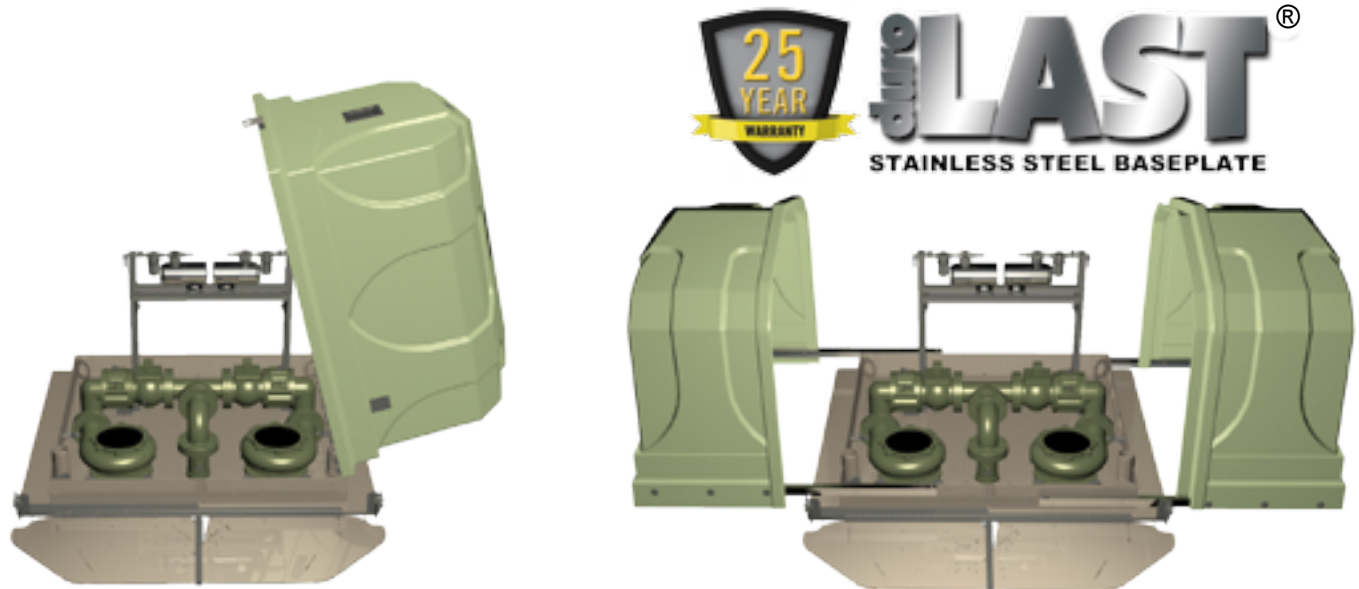
Option 2: Piping Skid

Many Smith & Loveless pump stations require a new piping skid to insert the **RAPIDJACK™** because the lay length of the **RAPIDJACK™** is a little more than a standard wafer check valve. Smith & Loveless can review each pump station's piping layout and determine what piping modifications are required. In many cases two spool pieces, two **RAPIDJACK™** check valves, and a 3-way plug valve will be required.



Option 3: SST Baseplate/Piping Upgrade

Many Smith & Loveless pump stations have been in service more than 25 years. With time, wear occurs. By upgrading to the SST Baseplate/Piping option that features the **RAPIDJACK™** check valve, cities can reuse rotating assemblies and control panels and have an upgraded pump station with the latest features for a cost effective price. This option features the SST **DURO-LAST™** baseplate featuring a 25-year warranty. Additionally, this is available in the **EVERLAST™**'s 1-piece and 2-piece hood designs, with additional features that include the Pump Failure Alarm, Hood Lift Assist (if the one piece hood is selected), wet well Cord manager, 2 new vacuum pumps on raised shelf, 2-piece manway to the wet well entrance, and **RAPIDJACK™**.



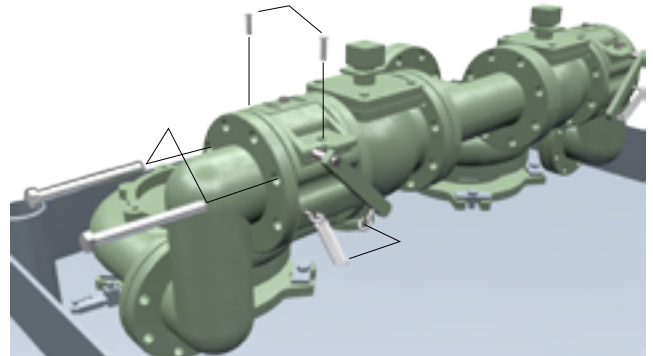
Option 4: EVERLAST™ Pump Station with RAPIDJACK™

The premier option is a new **EVERLAST™** Pump Station with the **RAPIDJACK™**. Engineered for flexibility, every **EVERLAST™** pump station's piping arrangement has the room to add the **RAPIDJACK™** when originally purchased or purchased at a later date.



4 easy steps to quickly clean your **RAPIDJACK™** check valve.

1. Remove four bolts & one spring.



2. Lift the clapper system of the valve, remove debris.



3. Reinstall clapper system, bolts, & spring.

4. Get back to pumping.

